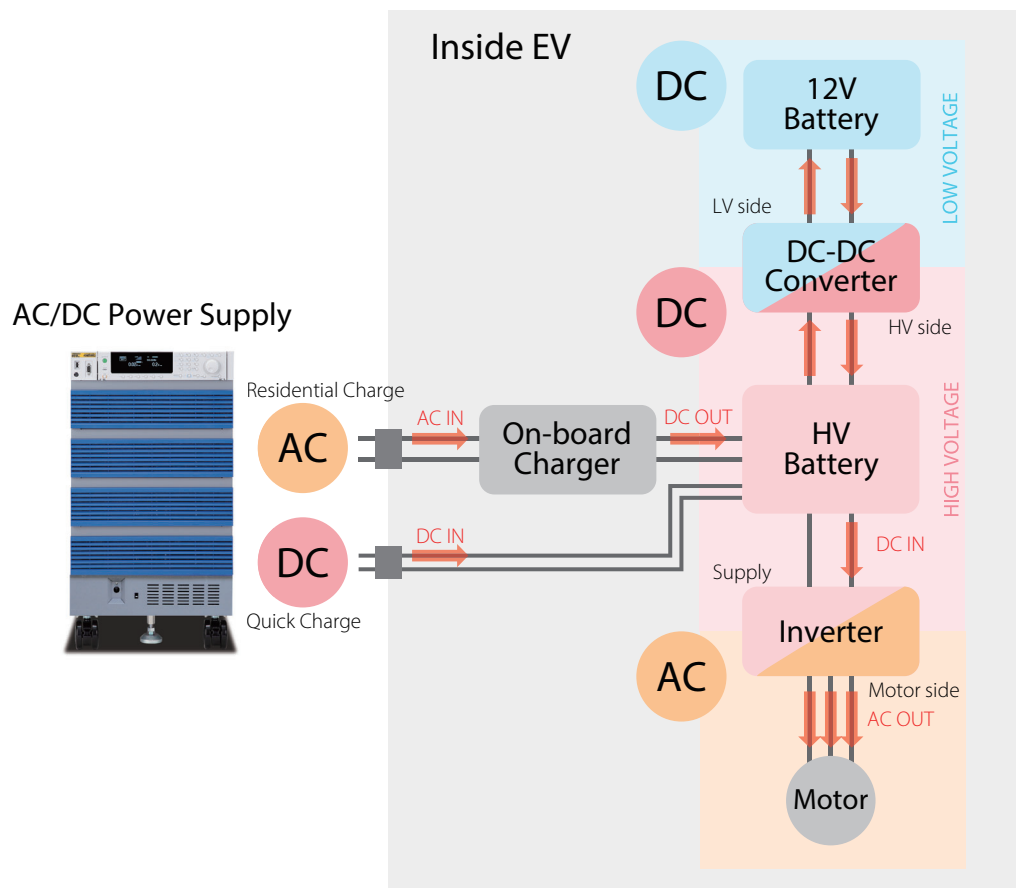
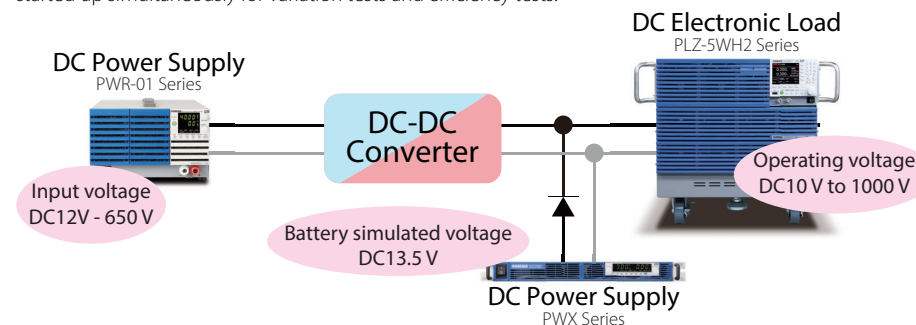


# KIKUSUI Product for EV Test System and Solution



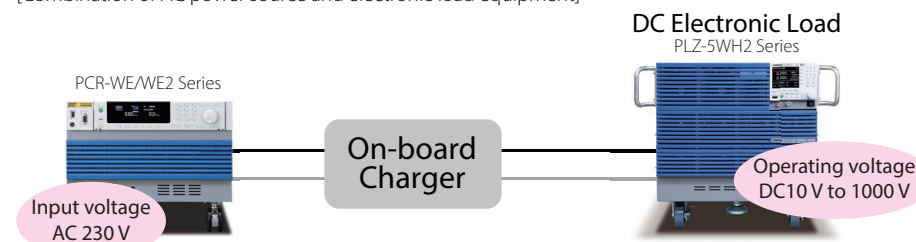
## DC-DC Converter Evaluation

DC-DC converter performance tests vital for automotive electric components can easily be carried out by controlling the converter input (DC power supply) and output (DC electronic load). The DC power supply and electronic load can be started up simultaneously for variation tests and efficiency tests.



## EV Charger Aging Tests

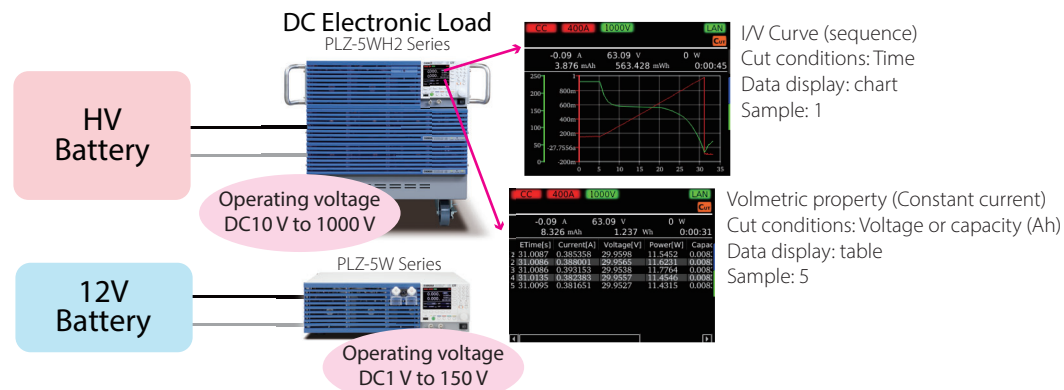
LV124 Standard L-02 Life test - high-temperature endurance test (Durability - Heat) [Life test]  
[Combination of AC power source and electronic load equipment]



\*DUT must function completely before/during/after testing (n=6 units)

## Battery Discharge Testing

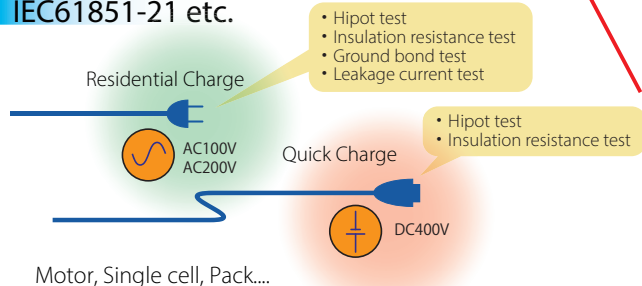
Battery discharge test can be conducted and results saved without a PC. The acquired data can be saved in CSV format on USB memory.



## Electrical safety standard testing for automotive components

Compatible with both AC and DC, the TOS9303LC complies with a wide variety of safety tests for EV batteries, automotive charging devices and charging connectors. This "all-in-one" safety analyzer can meet the needs of nearly all automotive electrical safety standards.

### IEC61851-21 etc.



*All in One!*

ACW DCW IR EC LC  
**Electrical Safety Analyzer**  
TOS9300 Series



▲TOS9303LC